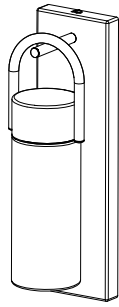
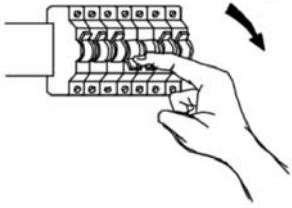
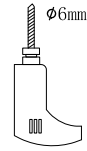


A

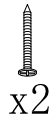
OFF



x1



x2

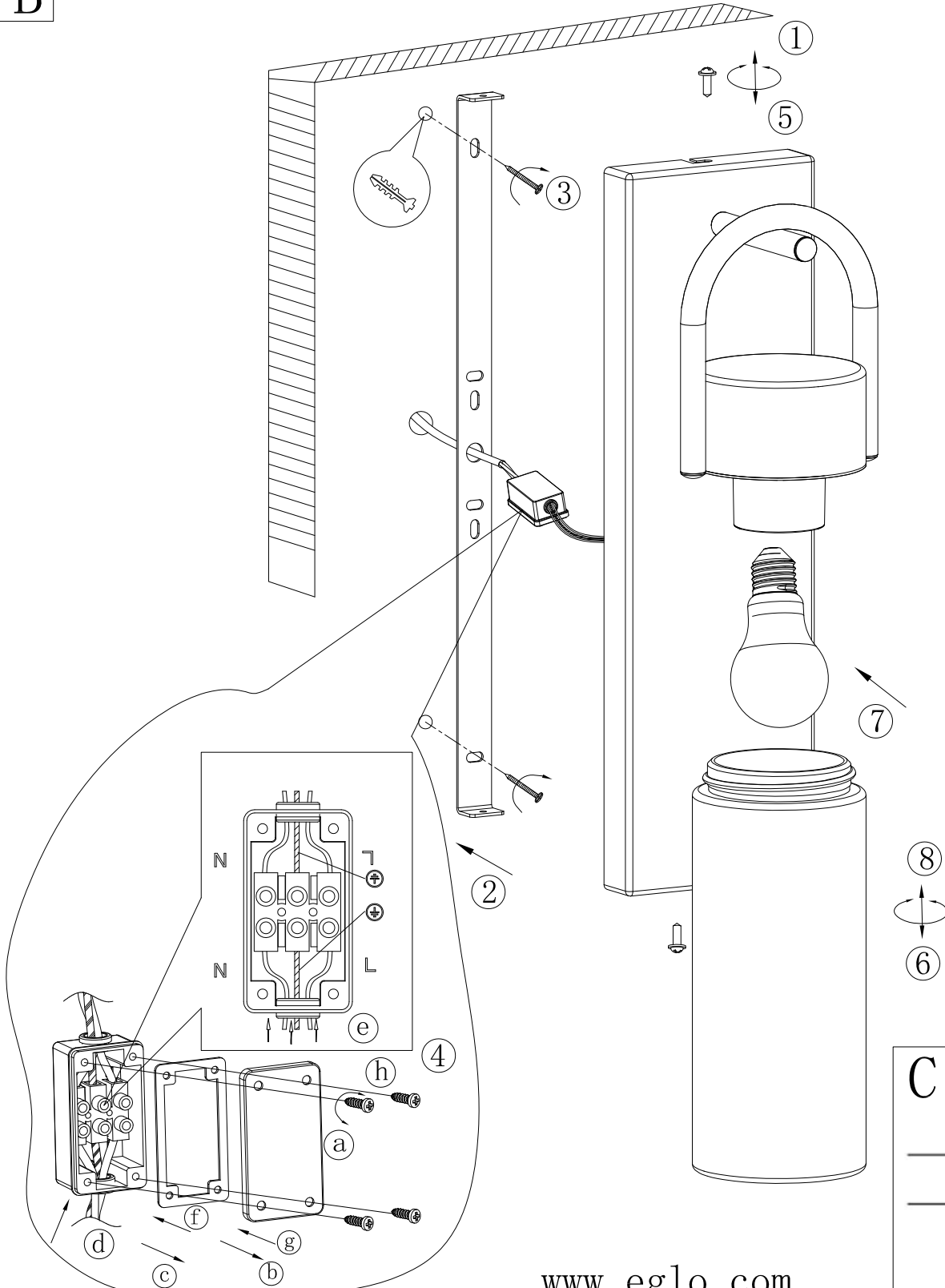


x2



Not included

B



⑧
↕
⑥

C

ON

