

LeuchtenDirekt

LeuchtenDirekt GmbH
 Olakenweg 36 · D-59457 Werl
 ☎ +49(0)2922 9721 9290
 ✉ Kundenservice@neuhaus-group.de
 www.leuchtdirekt.de

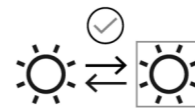


- DE
- GB
- FR
- BG
- CZ
- DK
- EL
- ES
- ET
- FI
- HR
- HU
- IT
- LT
- LV
- NL
- NO
- PL
- PT
- RO
- RU
- SK
- SL
- SR
- SV
- TR

LeuchtenDirekt



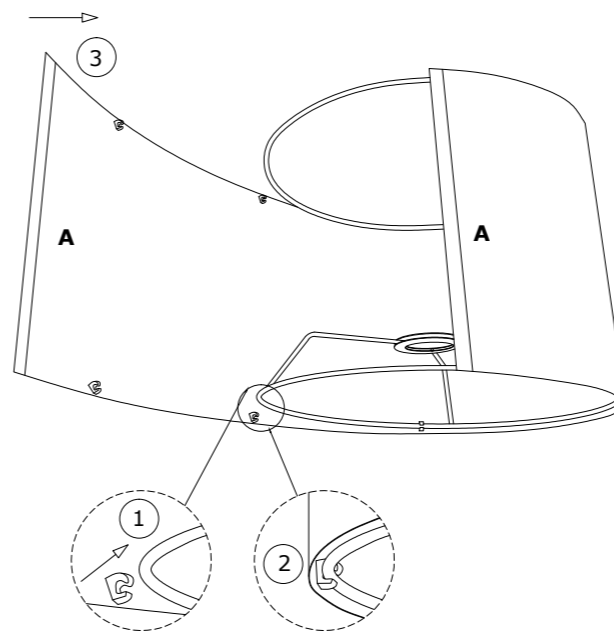
997595 - BARK



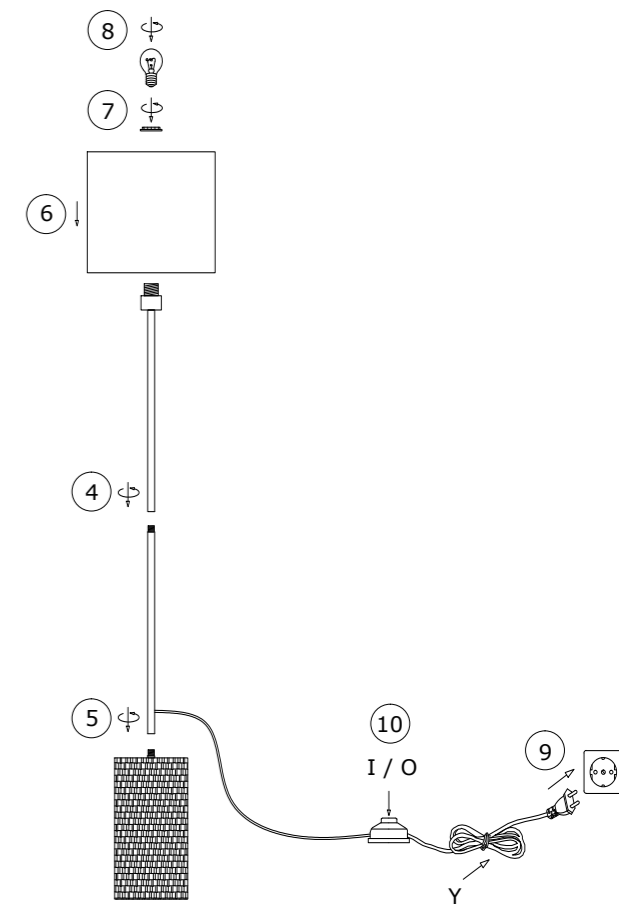
997595

230V / 50Hz~

1x E27 / 40W



2



3

1. $\int_0^1 x^2 dx = \frac{1}{3}$
2. $\int_0^1 x^3 dx = \frac{1}{4}$
3. $\int_0^1 x^4 dx = \frac{1}{5}$

1. $\int_0^1 x^2 dx = \frac{1}{3}$
2. $\int_0^1 x^3 dx = \frac{1}{4}$
3. $\int_0^1 x^4 dx = \frac{1}{5}$

1. $\int_0^1 x^2 dx = \frac{1}{3}$
2. $\int_0^1 x^3 dx = \frac{1}{4}$
3. $\int_0^1 x^4 dx = \frac{1}{5}$