

12W Constant Current 0-10V-FLS Series

FLS-12-350 0-10 LA



■ Approve

SELV CE

KEMA
KEUR



■ Features

- Class II, SELV, independent
- Input Voltage 220-240VAC
- Protections: SCP/OLP/OVP
- Power Factor 0.9C
- Efficiency $\geq 80\%$
- Support 0-10V Dimming
- 5 years warranty

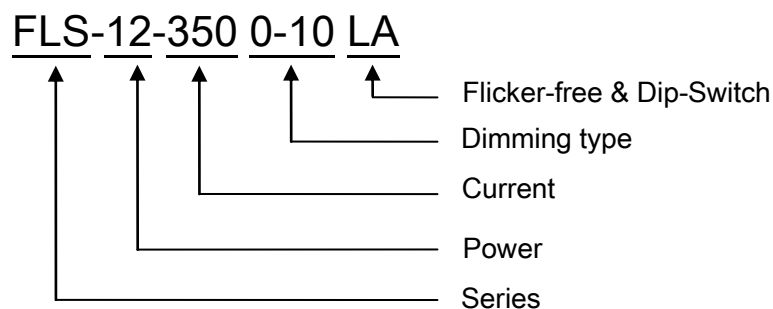
■ Applications

- Down light
- LED panel light

■ Description

FLS-12-350 0-10 LA is a 12W constant current LED driver that operates from 176-264Vac input with 120 to 350mA output current and a forward voltage range from 12 to 40Vdc. The output current is selectable by DIP Switch. With its compact dimensions from 125 x 45 x 27.5mm it is easy to integrate in LED Panel and down light products. To ensure trouble-free operation, protection is provided against output short circuit and over Load.

■ Model code



12W Constant Current 0-10V-FLS Series

FLS-12-350 0-10 LA

■ Specification

Input	Rated input voltage	220-240VAC
	Range of input voltage	176-264VAC
	DC voltage range	176-280V
	Frequency(Hz)	0/50/60 Hz
	Power Factor	0.9C@220-240VAC, full load
	Input Current max	0.1A MAX. @Full Load,176VAC
	Start-up time	< 0.5S
	Unload Power Consumption	≤0.5W
	Inrush Current	10A Max.
	THD	10% Typ.
	Leakage Current	< 0.5mA(240VAC)
Output	Constant Current Max.	350mA
	Unload voltage Max.	50 VDC
	Voltage Range(VDC)	12-40VDC
	Rated power	12.1W Max.
	Current Accuracy	±5% (±8% for I _o ≤200mA)
	Voltage Regulation	±5% @Full Load
	Load Regulation	≤5%
	Hold-up Time	1s max.@Full Load
	Ripple & Noise *Note.2	≤21mAp-p@Full Load,240VAC
	Efficiency(Typ.)	≥80%
Dimming	Dimmable	YES
	Dimming mode	0-10V
	Dimming current range	5%~100%
Protection	Over Load Protection	103-120% Protection type: Auto Resume
	Over Voltage Protection	> 50VDC Protection type: Auto Resume
	Short circuit Protection	Protection type: Auto Resume
Environment	Operating Temperature	-20°C...+45°C
	tc	80°C
	Storage Temperature	-25°C...+60°C
	Life time	> 30,000h@45°C
Others	Humidity	20%-95%RH
	Dimension	125X45X27.5(LXWXH)mm
Weight	Weight	0.1kg/PC
	Safety standards	EN 61347-1; EN61347-2-13; EN62384
Safety & EMC	Withstand voltage	Input-Output : 3750V/5mA/1min
	Isolation resistance	Input-Output : ≥4MΩ@500VDC
	EMI	EN55015; EN61000-3-2 Class C; EN61000-3-3
	EMS	EN 61547; EN 61000-4-2; EN 61000-4-5 —1000V;
Note	1.All parameters NOT specially mentioned are measured at 240VAC input , full load and 25°C of ambient temperature. 2.Ripple & Noise are measured at 20MHz of bandwidth by using a 300mm twisted pair-wire terminated with a 0.1uF & 47 uF parallel capacitor.	

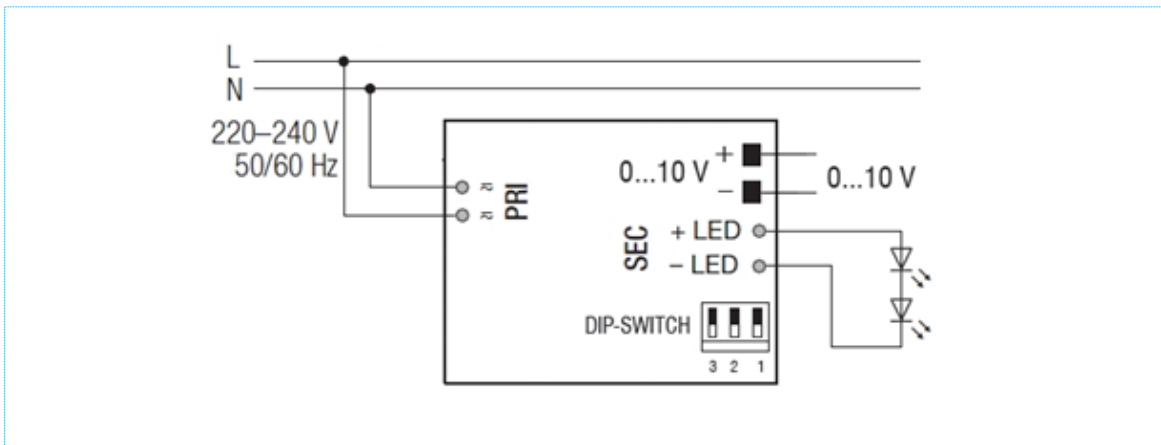
12W Constant Current 0-10V-FLS Series

FLS-12-350 0-10 LA

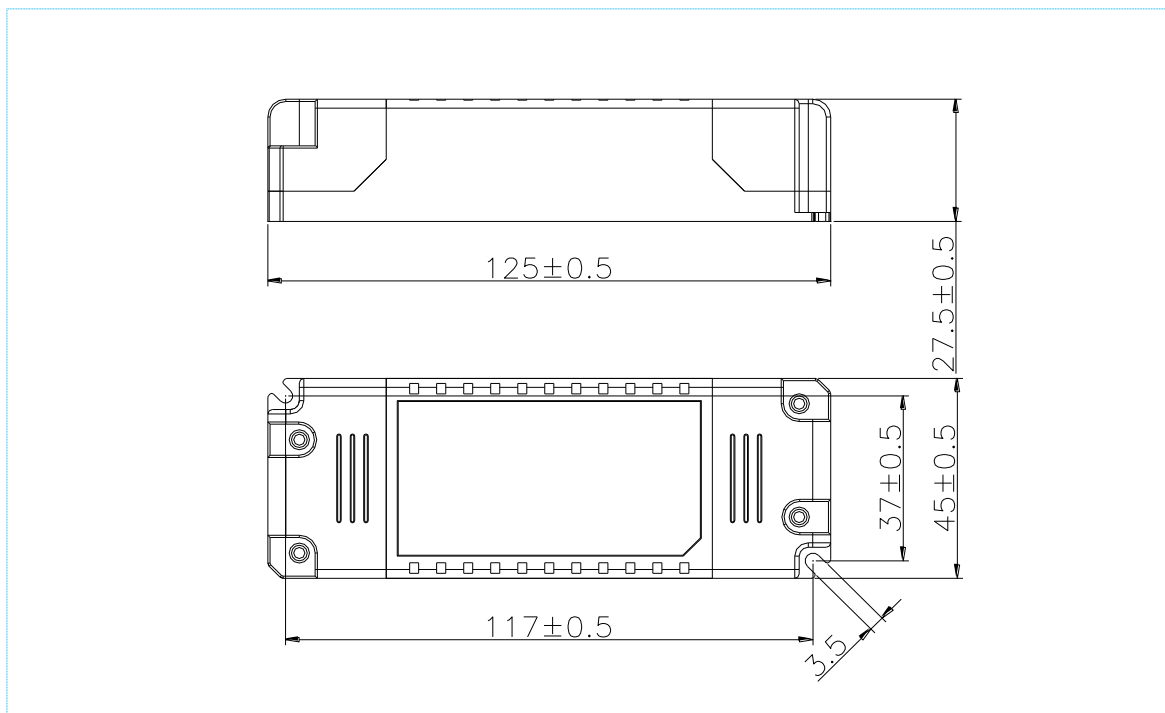
■Adjustable Output Current with dip-switch

Vo	Po	Io	1	2	3
12-40VDC	4.8W	120mA	--	--	--
12-40VDC	6W	150mA	ON	--	--
12-40VDC	8W	200mA	ON	--	ON
12-40VDC	12W	300mA	ON	ON	--
12-34.5VDC	12.1W	350mA	ON	ON	ON

■Wiring diagram



■2D diagram

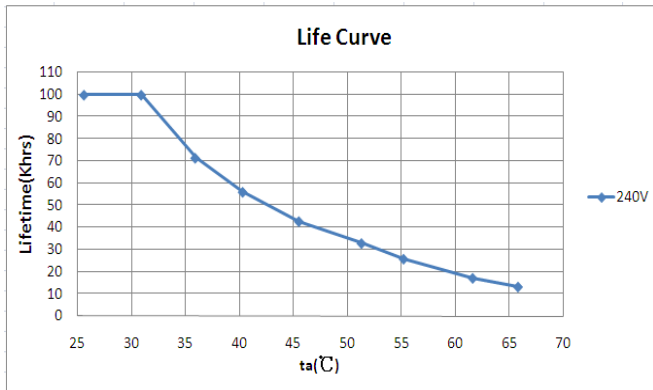


12W Constant Current 0-10V-FLS Series

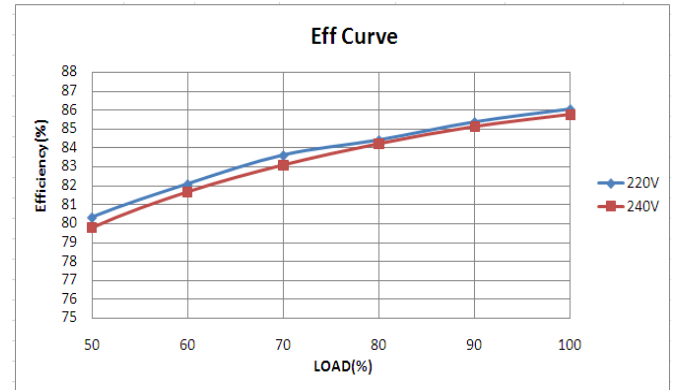
FLS-12-350 0-10 LA

■Curve for FLS-12-350 0-10 LA , $I_o=350mA$

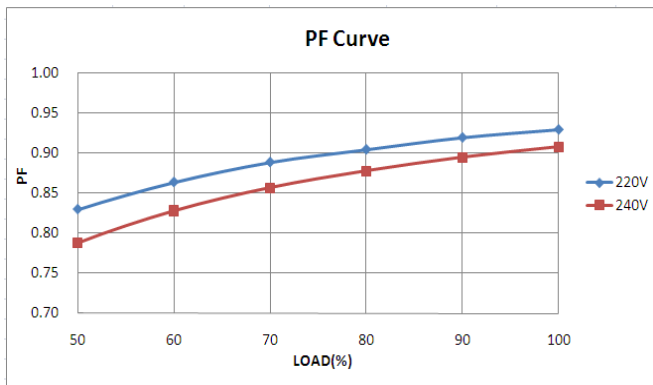
Lifetime vs. Ambient Temperature Curve



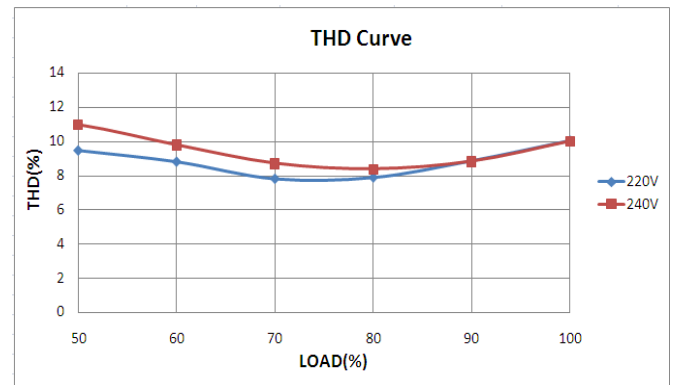
Efficiency vs. Load



Power Factor Characteristics



THD vs. Load



■Operating window

